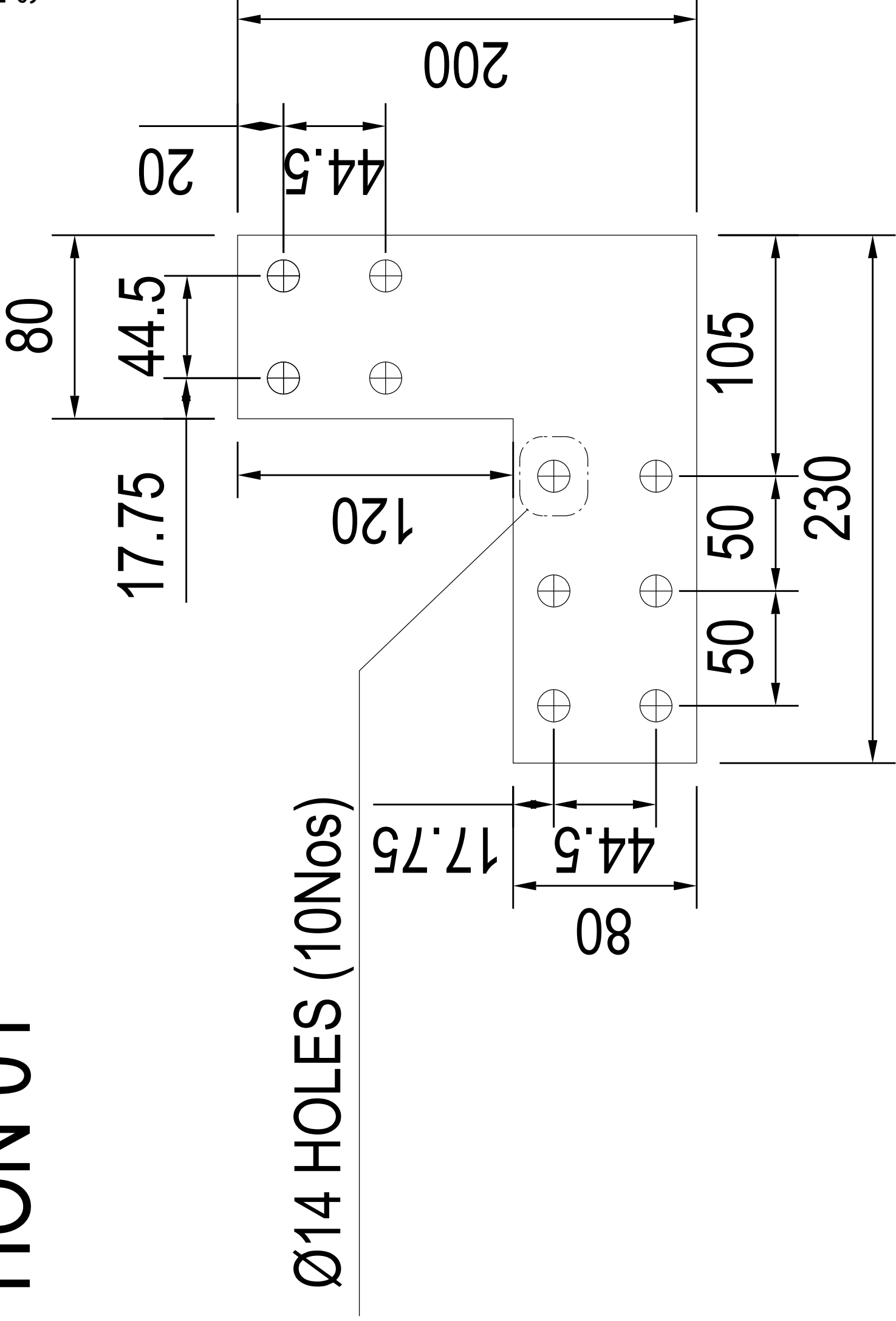


OPTION 01

MRF-ELE-138_Attachment
Sheet 1 of 2



TINNED COPPER BAR
12mm. THICK

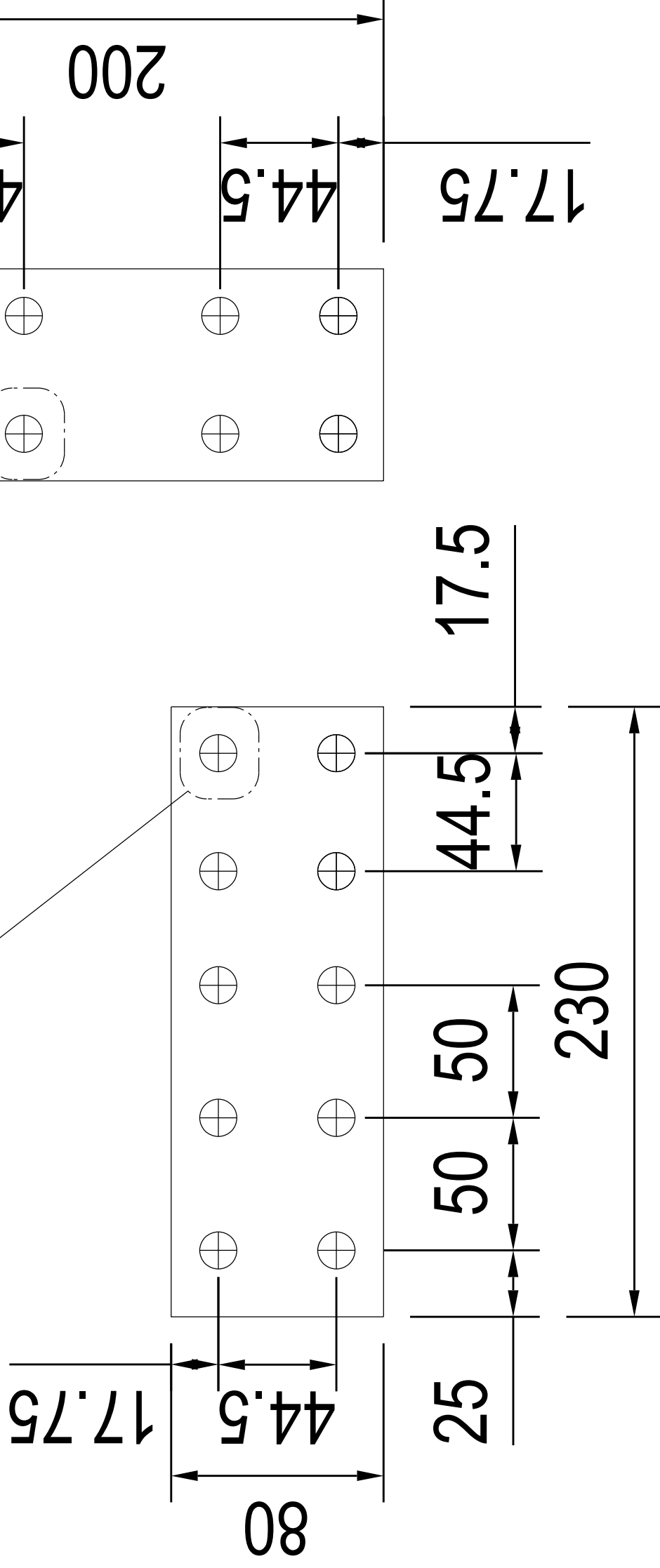
QTY: 3Nos.

NOTE: ALL DIMENSIONS ARE IN MILLIMETRES

OPTION 02

Ø14 HOLES (8Nos)

Ø14 HOLES (10Nos)



TINNED COPPER BAR
12mm. THICK

QTY: 3Sets.