



DRAWING

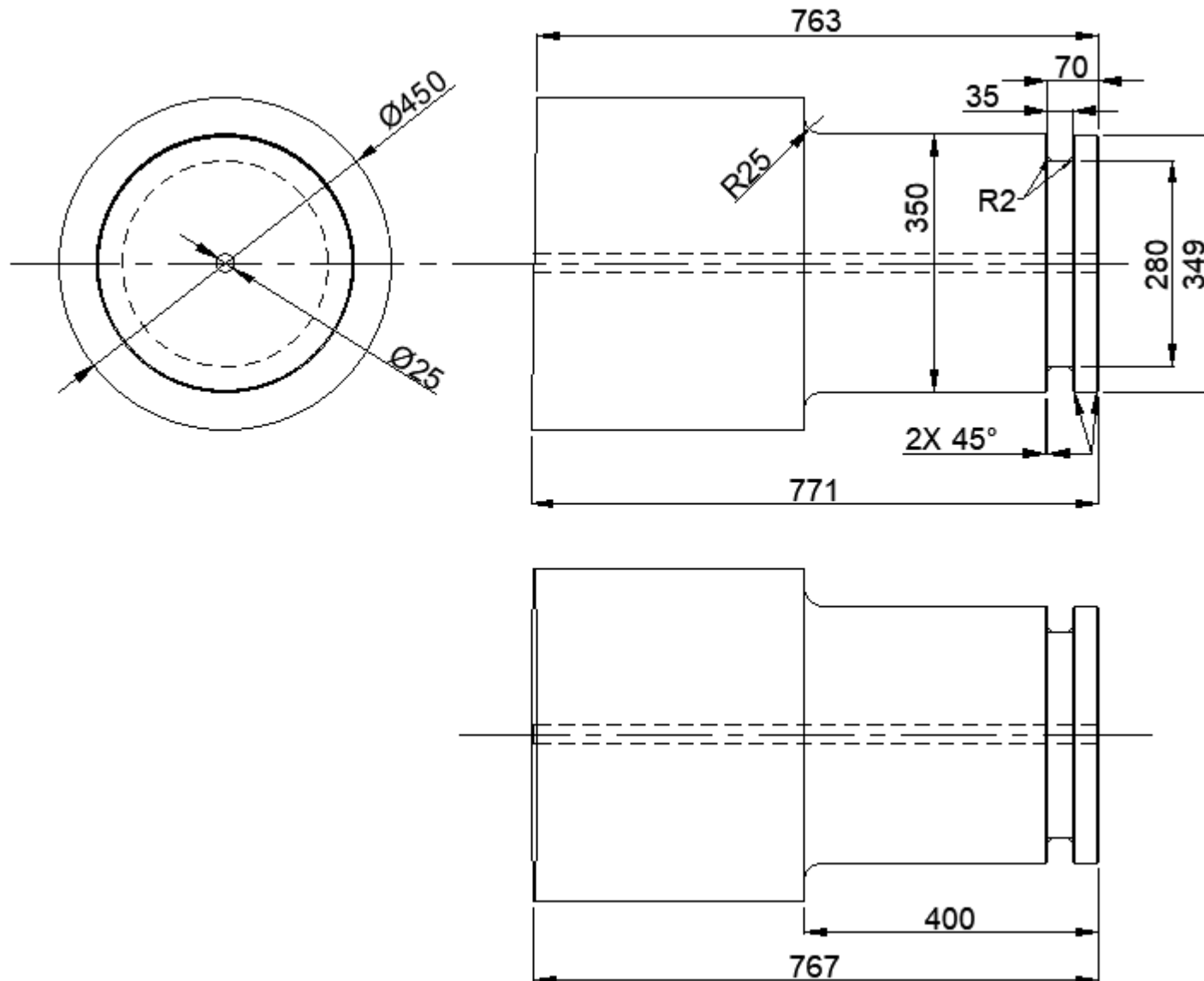
Client / Customer :

RFx. No. : 5500512477

Drawing No. : 2022-23/VSI 2161/R-01

Material No. : 1050251

Date : 27-12-2022



NOTE: ALL DIMENSIONS ARE IN MM.



VISHAL STEEL (INDIA)

DIMENSIONS

SR. NO.	SIZE	OUTER DIAMETER	TOTAL LENGTH
1	DIA 450 X LTH 771 MM	450 MM	771 MM

DESCRIPTION

SR. NO.	ITEM	MATERIAL	QTY
1	SPECIAL ROUND BAR	WSTE 355	04 EACH

DRAWN BY: KAMLESH PAL



Stamp & Signature

For **VISHAL STEEL (INDIA)**

Q. C. Manager

QA Manager / Authorized Signatory

Factory Address: Plot No. 749/77/5, G.I.D.C. Estate, Makarpura, Vadodara – 390010